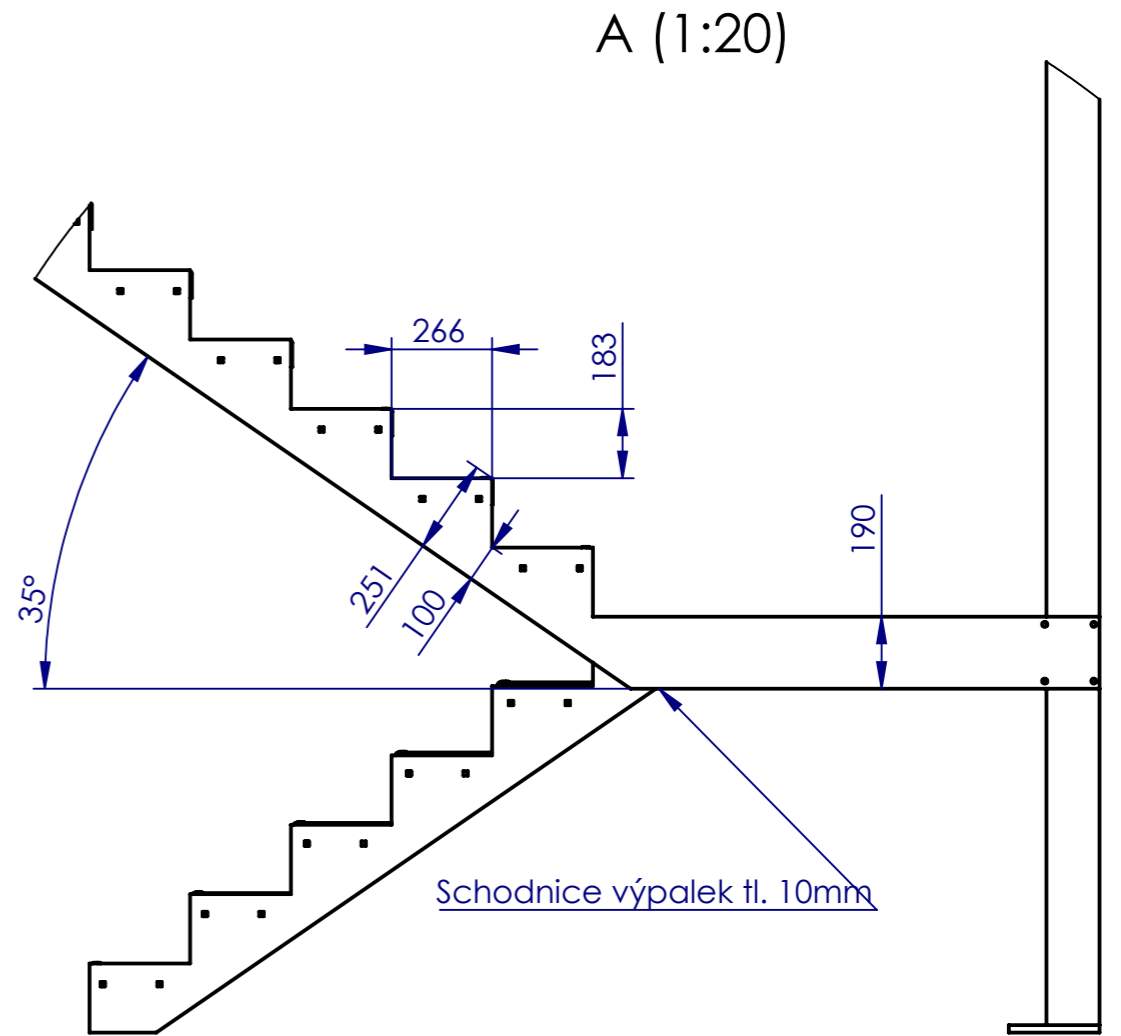
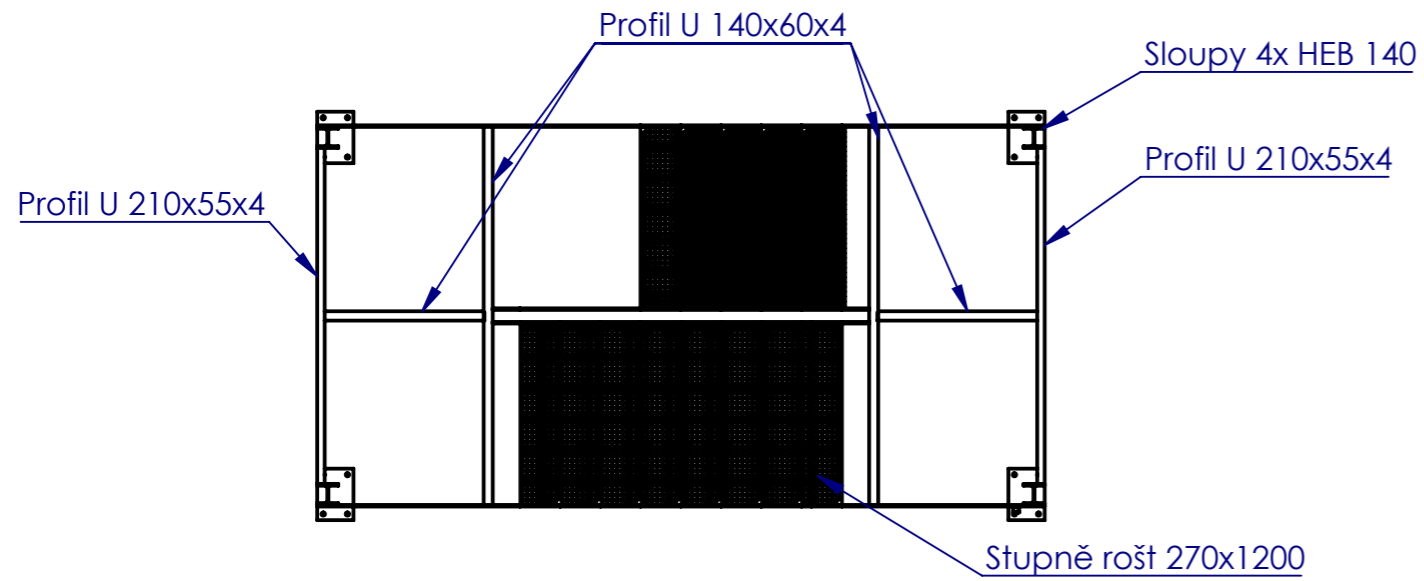


B-B (1:50)



A (1:20)